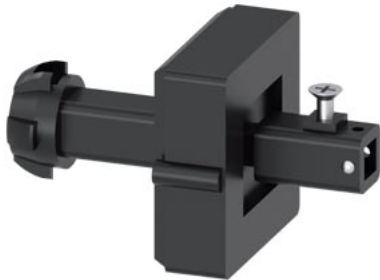


Coupling tolerance compensation 8x 8 mm Accessory for: Door-coupling rotary operating mechanism Shaft 8x 8 mm, 3VA, 3RV, 3LD5 UL, 3KD



Model	
product brand name	SETRON
product designation	mounting tolerance compensation
size of cross-section of the shaft of door-coupling rotary operating mechanism	8x8 mm
suitability for use	for shaft 8x 8 mm, 3VA, 3VM, 3KX, 3RV door mounted rotary operator

Product details	
product component	
<ul style="list-style-type: none"> <li>extension shaft</li> </ul>	No

Mechanical Design	
height	50 mm
width	55.6 mm
depth	85.4 mm
net weight	328 g

Approvals Certificates	
General Product Approval	Declaration of Conformity



Test Certificates	Marine / Shipping	other	Environment
<a href="#">Type Test Certificates/Test Report</a>	 LRS	<a href="#">Miscellaneous</a>	<a href="#">Confirmation</a>
			<a href="#">Environmental Confirmations</a>

### Further information

Siemens has decided to exit the Russian market (see here).  
<https://press.siemens.com/global/en/pressrelease/siemens-wind-down-russian-business>  
 Siemens is working on the renewal of the current EAC certificates.  
 Please contact your local Siemens office on the status of validity of the EAC certification if you intend to import or offer to supply these products to an EAC relevant market (other than the sanctioned EAEU member states Russia or Belarus).  
**Information on the packaging**  
<https://support.industry.siemens.com/cs/ww/en/view/109813875>  
**Information- and Downloadcenter (Catalogs, Brochures,...)**  
<http://www.siemens.com/lowvoltage/catalogs>  
**Industry Mall (Online ordering system)**  
<https://mall.industry.siemens.com/mall/en/en/Catalog/product?mlfb=8UD1900-2GA00>  
**Service&Support (Manuals, Certificates, Characteristics, FAQs,...)**  
<https://support.industry.siemens.com/cs/ww/en/ps/8UD1900-2GA00>

Image database (product images, 2D dimension drawings, 3D models, device circuit diagrams, ...)

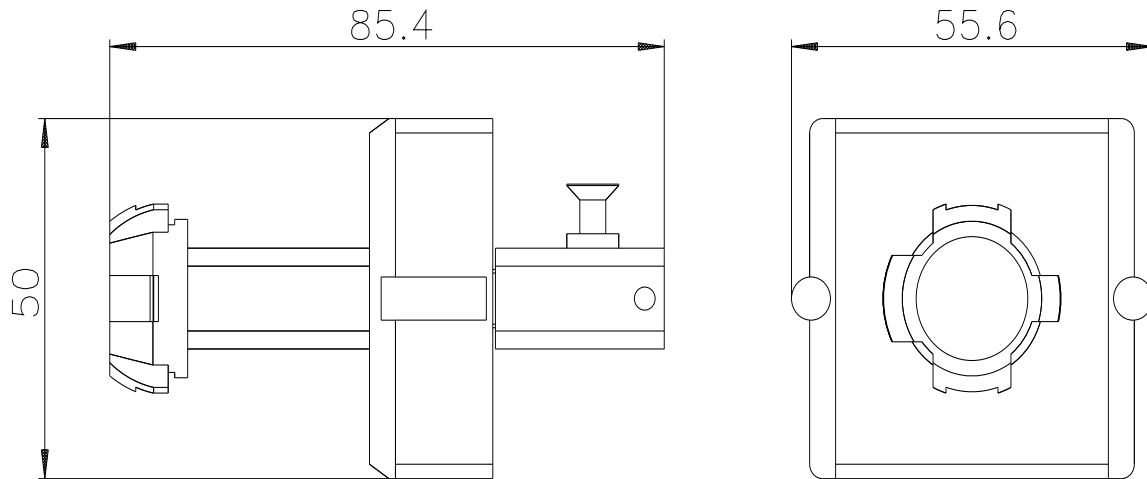
[http://www.automation.siemens.com/bilddb/cax\\_en.aspx?mfb=8UD1900-2GA00](http://www.automation.siemens.com/bilddb/cax_en.aspx?mfb=8UD1900-2GA00)

CAX-Online-Generator

<http://www.siemens.com/cax>

Tender specifications

<http://www.siemens.com/specifications>



---

last modified:

7/29/2022 

