

Contact block with 1 contact element, 1 NC, screw terminal, for front plate mounting ! Phased-out product! Successor is SIRIUS ACT 3SU1 Preferred successor type is >>3SU1400-1AA10-1CA0<<

Figure similar

<b>product designation</b>	contact block
<b>Contact block/ lampholder</b>	
<b>number of lampholders</b>	0
<b>General technical data</b>	
product function positive opening	Yes
<b>product component</b>	
• diode	No
• lamp transformer	No
• light source	No
• series resistor	No
<b>insulation voltage rated value</b>	400 V
<b>degree of pollution</b>	class 3
<b>type of voltage</b>	
• of the operating voltage	AC/DC
<b>surge voltage resistance rated value</b>	4 kV
protection class IP	
• of the enclosure	IP40
• of the terminal	IP20
<b>operating frequency maximum</b>	1 000 1/h
<b>mechanical service life (operating cycles) typical</b>	10 000 000
<b>electrical endurance (operating cycles) with contactors 3RT1015 to 3RT1026 typical</b>	10 000 000
<b>thermal current</b>	10 A
<b>reference code according to IEC 81346-2</b>	S
<b>design of the fuse link for short-circuit protection of the auxiliary switch with type of coordination 1 required</b>	gG / Dz 10 A
<b>Substance Prohibitance (Date)</b>	07/01/2006
<b>operating voltage</b>	
• at AC	
— at 50 Hz rated value	5 ... 400 V
— at 60 Hz rated value	5 ... 300 V
• at DC rated value	5 ... 230 V
<b>operating voltage 1</b>	
• at AC	
— at 50 Hz rated value	400 V
— at 60 Hz rated value	300 V
• at DC rated value	24 V
<b>Power Electronics</b>	
<b>contact reliability</b>	one incorrect switching operation of 100 million switching operations (5 V, 1 mA)

Auxiliary circuit	
number of NC contacts for auxiliary contacts	1
number of NO contacts for auxiliary contacts	0
number of CO contacts for auxiliary contacts	0
<b>operational current at AC-12</b>	
• at 24 V rated value	10 A
• at 48 V rated value	10 A
• at 110 V rated value	10 A
• at 230 V rated value	10 A
• at 400 V rated value	10 A
<b>operational current at AC-15</b>	
• at 24 V rated value	6 A
• at 48 V rated value	6 A
• at 110 V rated value	6 A
• at 230 V rated value	6 A
• at 400 V rated value	3 A
<b>operational current at DC-12</b>	
• at 24 V rated value	10 A
• at 48 V rated value	5 A
• at 110 V rated value	2.5 A
• at 230 V rated value	1 A
<b>operational current at DC-13</b>	
• at 24 V rated value	3 A
• at 48 V rated value	1.5 A
• at 110 V rated value	0.7 A
• at 230 V rated value	0.3 A

Connections/ Terminals	
type of electrical connection	screw-type terminals
type of connectable conductor cross-sections	
• for auxiliary contacts	
— solid	2x (1.0 ... 1.5 mm <sup>2</sup> )
— solid with core end processing	2x (0.5 ... 0.75 mm <sup>2</sup> )
— finely stranded with core end processing	2x (0.5 ... 1.5 mm <sup>2</sup> )
• at AWG cables for auxiliary contacts	2x (18 ... 14)
tightening torque for auxiliary contacts with screw-type terminals	0.8 N·m

Ambient conditions	
ambient temperature	
• during operation	-25 ... +70 °C
• during storage	-25 ... +80 °C

Installation/ mounting/ dimensions	
fastening method	front mounting
height	36.5 mm
width	10 mm
depth	20 mm

Certificates/ approvals		
General Product Approval	Functional Safety/Safety of Machinery	Marine / Shipping



other

[Confirmation](#)

## Further information

Siemens has decided to exit the Russian market (see here).

<https://press.siemens.com/global/en/pressrelease/siemens-wind-down-russian-business>

Siemens is working on the renewal of the current EAC certificates.

Please contact your local Siemens office on the status of validity of the EAC certification if you intend to import or offer to supply these products to an EAC relevant market (other than the sanctioned EAEU member states Russia or Belarus).

Information on the packaging

<https://support.industry.siemens.com/cs/ww/en/view/109813875>

Information- and Downloadcenter (Catalogs, Brochures,...)

<https://www.siemens.com/ic10>

Industry Mall (Online ordering system)

<https://mall.industry.siemens.com/mall/en/en/Catalog/product?mlfb=3SB3400-0C>

Cax online generator

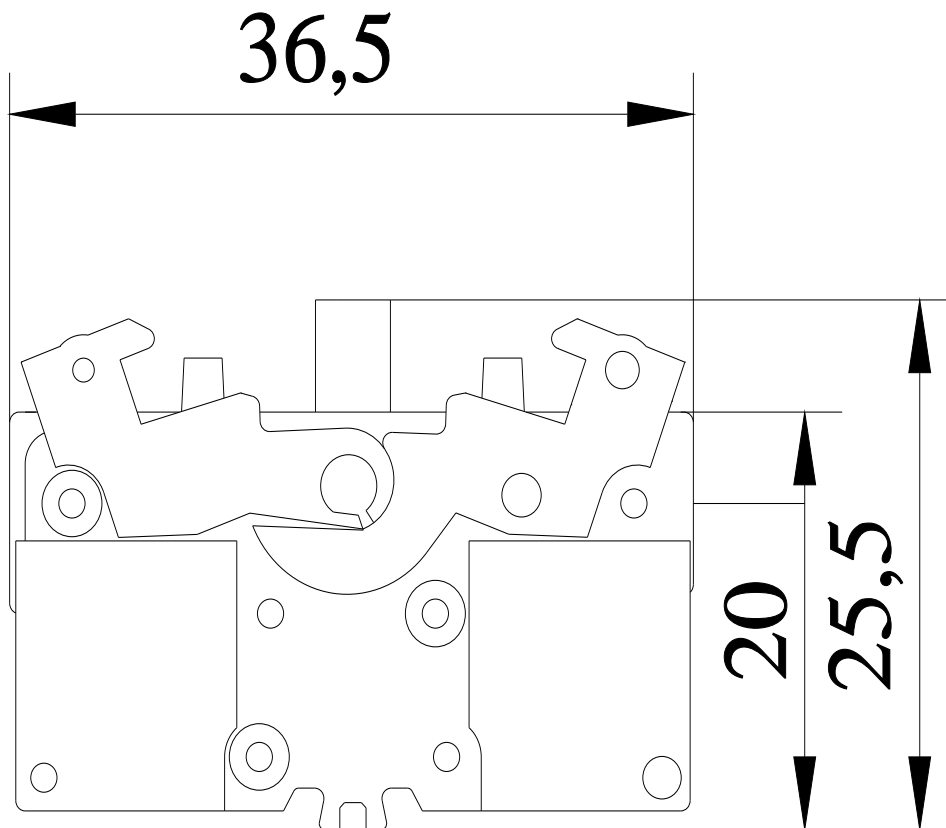
<http://support.automation.siemens.com/WW/CAXorder/default.aspx?lang=en&mlfb=3SB3400-0C>

Service&Support (Manuals, Certificates, Characteristics, FAQs,...)

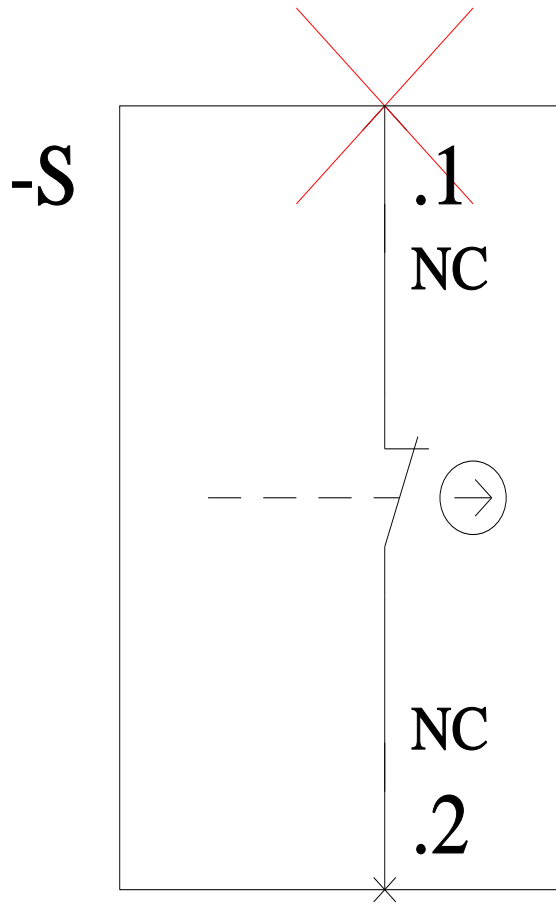
<https://support.industry.siemens.com/cs/ww/en/ps/3SB3400-0C>

Image database (product images, 2D dimension drawings, 3D models, device circuit diagrams, EPLAN macros, ...)

[http://www.automation.siemens.com/bilddb/cax\\_de.aspx?mlfb=3SB3400-0C&lang=en](http://www.automation.siemens.com/bilddb/cax_de.aspx?mlfb=3SB3400-0C&lang=en)



NSD00212a



last modified:

1/18/2021 