

IGBT Fuses

IGBT Fuses

690Vac - 750Vdc / 25 - 630A

Specifications

Description: High speed fuses for the protection of IGBT modules, optimized for use in IGBT inverter circuits with DC-link voltages up to 750Vdc. Low inductance $\leq 15\text{nH}$.

Ratings:

Volts: — 690Vac / 750Vdc - Tested at 863Vdc according to IEC 60269-4.

— 700Vac / 800Vdc - Tested at 800Vdc according to UL 248-1

Amps: — 25-630A

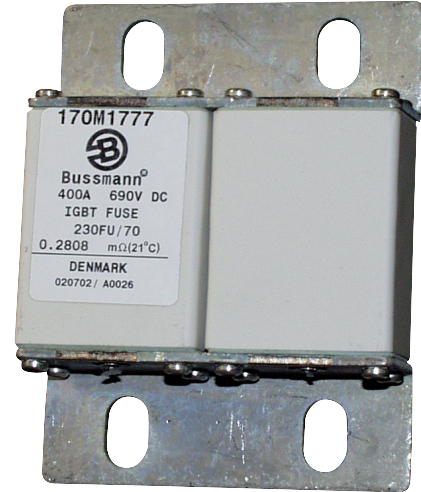
IR: — 200kA RMS Sym.

— 50kA dc (1ms tc)

Operating Class: aR

Agency Information: UL DC recongnized, 800Vdc L/R 1mS. min.

Catalogue Numbers:



Fuse Size	Cat. Number		Electrical Characteristics			Watt Loss (W)
	-FU/70	Rated Voltage (V)	Rated Current RMS-Amp	I^2t (A ² Sec)		
				Pre-arc	Clearing at 690V	
000	170M1750	690	25	25.0	135.0	12.0
	170M1751		32	45.0	240.0	13.0
	170M1752		40	75.0	395.0	14.0
	170M1753		50	135.0	695.0	16.0
	170M1754		63	260.0	1350.0	17.0
	170M1755		80	460.0	2350.0	20.0
	170M1756		100	795.0	4000.0	25.0
	170M1757		125	1300.0	6800.0	29.0
	170M1758		160	2550.0	13500.0	34.0
	170M1759		200	4350.0	22000.0	40.0
	170M1760		250	7400.0	37500.0	48.0
	170M1761		315	12500.0	65000.0	60.0
	170M1762		350	17000.0	88000.0	65.0
230	170M1770	690	100	380	1950	35
	170M1771		125	645	3300	42
	170M1772		160	1350	7000	47
	170M1773		200	2550	13500	54
	170M1774		250	4950	25000	62
	170M1775		315	9350	47500	72
	170M1776		350	12000	61000	78
	170M1777		400	18500	94500	80
	170M1778		450	27000	140000	85
	170M1779		500	37500	190000	90
	170M1780		550	48500	245000	95
170M1781	630	69500	355000	105		

Data Sheet: Size 000 - 170K6422

Size 230 - 170K6426

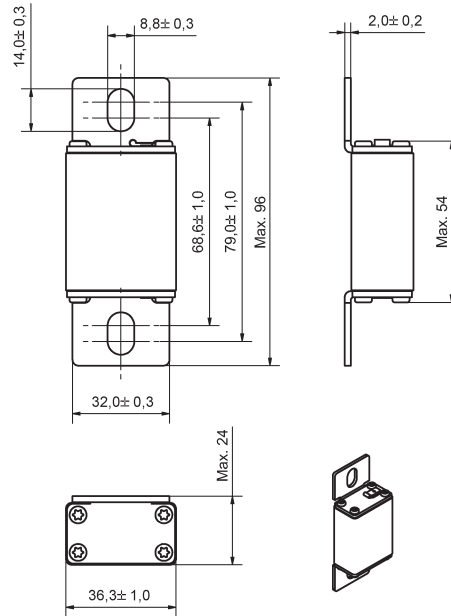
IGBT Fuses

IGBT Fuses

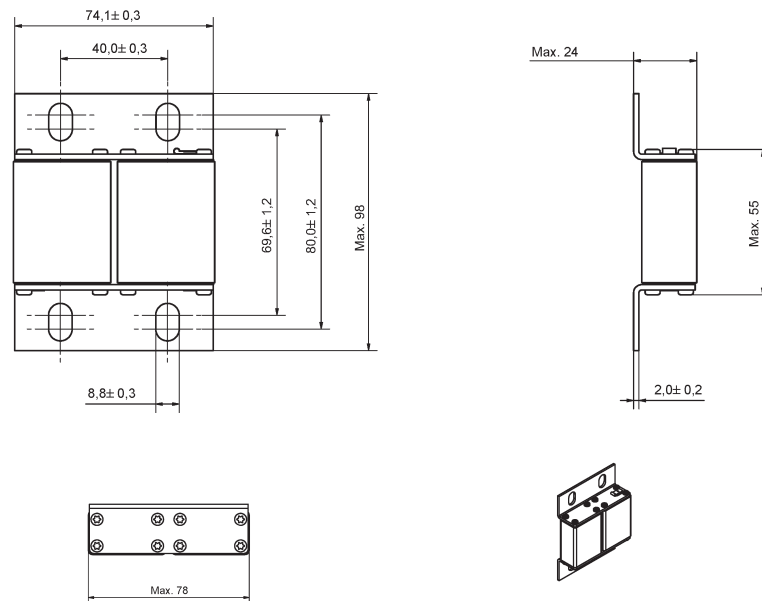
690Vac / 750Vdc / 25 - 630A

Dimensions (mm):

Size 000



Size 230



IGBT Fuses

IGBT Fuses

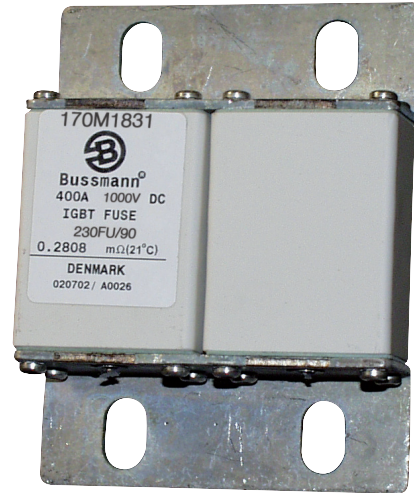
1000Vac - 1000Vdc / 25 - 500A

Specifications

Description: High speed fuses for the protection of IGBT modules, optimized for use in IGBT inverter circuits with DC-link voltages up to 1000Vdc. Low inductance $\leq 20\text{nH}$.

Ratings:

- Volts: — 1000Vac / 1000Vdc - Tested at 1150Vdc according to IEC 60269-4
- 1000Vac / 1000Vdc - Tested at 1000Vdc according to UL 248-1
- Amps: — 25-500A
- IR: — 100kA RMS Sym.
- 50kA dc (1ms tc)



Operating Class: aR

Agency Information: UL DC recongnized, 1000Vdc L/R 1mS. min.

Catalogue Numbers:

Fuse Size	Cat. Number		Electrical Characteristics			
	-FU/90	Rated Voltage (V)	Rated Current RMS-Amp	I^2t (A ² Sec)		Watt Loss (W)
				Pre-arc	Clearing at 1000V	
000		1000	25	19	95	14
	170M1803		32	34	170	17
	170M1804		40	61	300	20
	170M1805		50	135	675	21
	170M1806		63	245	1200	22
	170M1807		80	505	2500	27
	170M1808		100	1050	5150	32
	170M1809		125	1900	9500	34
	170M1810		160	4050	20000	37
	170M1811		200	8500	42000	43
	170M1812		225	12000	59000	45
	170M1813		250	16000	79500	48
	230		170M1824	100	600	3050
170M1825		125	1200	6050	42	
170M1826		160	2550	13000	48	
170M1827		200	4650	23000	55	
170M1828		250	9300	45500	62	
170M1829		315	18500	91500	68	
170M1830		350	24500	125000	75	
170M1831		400	37500	185000	80	
170M1832		450	52000	260000	85	
170M1833		500	69500	340000	90	

Data Sheet: Size 000 - 170K6680

Size 230 - 170K6682

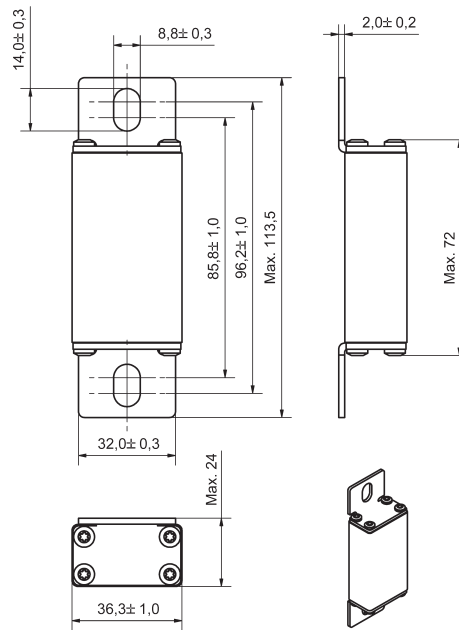
IGBT Fuses

IGBT Fuses

1000Vac - 1000Vdc / 25 - 500A

Dimensions (mm):

Size 000



Size 230

