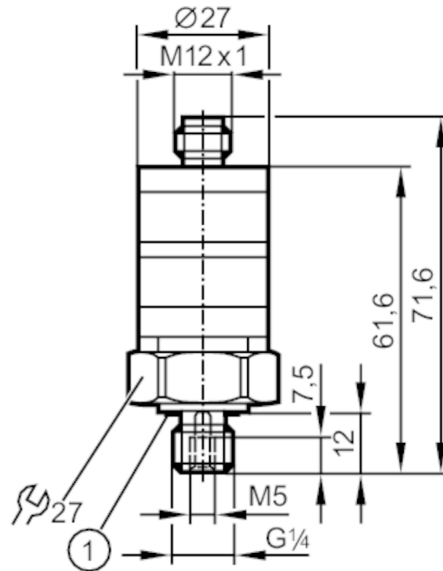


PK6524



Pressure switch with intuitive switch point setting

PK-010-RFG14-HCPKG/US/ IW



1 Sealing



Product characteristics

| | | |
|------------------------------|--|-------------|
| Number of inputs and outputs | Number of digital outputs: 2 | |
| Measuring range | 0...10 bar | 0...145 psi |
| Process connection | threaded connection G 1/4 external thread internal thread:M5 | |

Application

| | | |
|--|-----------------------------|----------|
| Application | for industrial applications | |
| Media | liquids and gases | |
| Medium temperature [°C] | -25...80 | |
| Min. bursting pressure | 300 bar | 4350 psi |
| Pressure rating | 25 bar | 362 psi |
| Type of pressure | relative pressure | |
| MAWP (for applications according to CRN) | 25 bar | 362 psi |

Electrical data

| | | |
|---------------------------------|-----------------|--|
| Operating voltage [V] | 9.6...32 DC | |
| Current consumption [mA] | < 25 | |
| Min. insulation resistance [MΩ] | 100; (500 V DC) | |
| Protection class | III | |
| Reverse polarity protection | yes | |

Inputs / outputs

| | | |
|------------------------------|------------------------------|--|
| Number of inputs and outputs | Number of digital outputs: 2 | |
|------------------------------|------------------------------|--|

Outputs

| | | |
|---------------------------|------------------|--|
| Total number of outputs | 2 | |
| Output signal | switching signal | |
| Electrical design | PNP | |
| Number of digital outputs | 2 | |

PK6524



Pressure switch with intuitive switch point setting

PK-010-RFG14-HCPKG/US/ IW

| | | |
|--|--|---------------------|
| Output function | complementary | |
| Max. voltage drop switching output DC [V] | 2 | |
| Permanent current rating of switching output DC [mA] | 500 | |
| Switching frequency DC [Hz] | 100 | |
| Short-circuit protection | yes | |
| Type of short-circuit protection | pulsed | |
| Overload protection | yes | |
| Measuring/setting range | | |
| Measuring range | 0...10 bar | 0...145 psi |
| Set point SP | 0.5...10 bar | 7.5...145 psi |
| Reset point rP | 0.3...9.8 bar | 5...142 psi |
| Accuracy / deviations | | |
| Switch point accuracy [% of the final value] | < ± 2,5; (Setting accuracy) | |
| Repeatability [% of the final value] | < ± 0,5; (with temperature fluctuations < 10 K) | |
| Characteristics deviation [% of the final value] | < ± 1,5 (BFSL) / < ± 2,5 (LS); (BFSL = Best Fit Straight Line; LS = limit value setting) | |
| Temperature drift per 10 K | < ± 0.5 | |
| Software / programming | | |
| Adjustment of the switch point | setting rings | |
| Operating conditions | | |
| Ambient temperature [°C] | -25...80 | |
| Storage temperature [°C] | -40...100 | |
| Protection | IP 67 | |
| Tests / approvals | | |
| EMC | DIN EN 61000-6-2 | |
| | DIN EN 61000-6-3 | |
| Shock resistance | DIN EN 60068-2-27 | 50 g (11 ms) |
| Vibration resistance | DIN EN 60068-2-6 | 20 g (10...2000 Hz) |
| MTTF [years] | 500 | |
| Pressure Equipment Directive | Sound engineering practice; can be used for group 2 fluids; group 1 fluids on request | |
| Mechanical data | | |
| Weight [g] | 92.5 | |
| Materials | PBT; PC; FKM; stainless steel (316L/1.4404) | |
| Materials (wetted parts) | stainless steel (316L/1.4404); FKM | |
| Min. pressure cycles | 50 million | |
| Tightening torque [Nm] | 25 | |
| Process connection | threaded connection G 1/4 external thread internal thread:M5 | |
| Restrictor element integrated | no (can be retrofitted) | |

PK6524



Pressure switch with intuitive switch point setting

PK-010-RFG14-HCPKG/US/ IW

Displays / operating elements

| | | |
|------------|------------------|-------------|
| Display | operation | LED, green |
| | switching status | LED, yellow |
| With scale | | yes |

Remarks

| | |
|---------------|--------|
| Pack quantity | 1 pcs. |
|---------------|--------|

Electrical connection

Connector: 1 x M12; coding: A



Connection

